



# A320 SR SAFETY INFORMATION

Federal regulations require compliance with crew instructions, lighted passenger information signs and posted placards at all times.

If you are seated at an exit and are unable to understand the information on this card, please contact a flight attendant.

Exit (非常口) の列にお座りなっていて、このカードの内容が理解できないと思われる場合は、搭乗員までお申し出ください。

Si vous êtes assis à côté d'une sortie de secours et vous ne comprenez pas les informations inscrites sur cette carte, n'hésitez pas à contacter un membre de l'équipage.

如果您坐在緊急出口的座位，但看不懂本卡片上的信息，請與空中服務員聯絡。

Wenn Sie an einem Notausgang sitzen und die gedruckten Anweisungen auf dieser Karte nicht verstehen, wenden Sie sich bitte an einen Flugbegleiter.

만약 귀하께서 출구에 앉으셨는데 이 카드의 내용을 이해하실 수 없으시다면 승무원에게 말씀해 주십시오.

Si usted está sentado(a) al lado de una puerta de salida y no entiende la información contenida en esta tarjeta, por favor dígaselo a un asistente de vuelo.

## EXIT SEATS

**Please notify a crewmember if you do not meet the following criteria or do not wish to assist in an emergency.**

**If you are seated in an exit seat, you may be asked to assist the crew in an emergency by performing the following functions.**

- Follow oral instructions and hand signals given by the crew.
- Locate the emergency exit and determine if it is safe to open.
- Open the emergency exit as shown and secure the exit so it does not impede use of the exit.
- Activate the slide, if provided, pass quickly through the emergency exit, and assist others after exiting the aircraft.
- Select and follow a safe path away from the emergency exit.

**No passenger may be seated in an exit seat if it is likely that he/she is unable to perform any of the functions listed above because:**

- The person has insufficient mobility, strength, or dexterity in arms, hands or legs.
- The person cannot see or hear well enough to perform functions illustrated on this card.
- The person cannot verbally relate information to other passengers.
- The person is less than 15 years of age.
- The person has a condition or responsibilities such as caring for small children that might prevent him/her from performing listed functions illustrated on this card.
- The person has a condition that might cause him/her harm if he/she performs the functions illustrated on this card.

Final assembly of this airplane was completed in France.



**Taxi, Take-off, & Landing**

走行、離陸、着陸  
滑行、起飛和降落  
주행, 이륙 및 착륙

**Rollen, Abflug und Landung**  
**Déplacement au sol, décollage**  
**et atterrissage**

**Durante el rodaje, el despegue,**  
**y el aterrizaje**



**Do not use...**

機内では以下のものは使用しないでください。

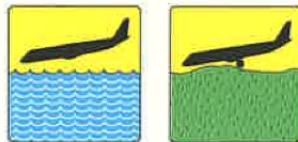
請勿使用...

이것들은 사용하지 마십시오.

**Benutzen Sie nicht...**

**Ne pas utiliser...**

**No use...**



**Brace positions**

安全姿勢

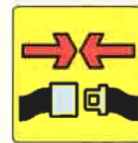
安全姿勢

지지 자세

**Schutzhaltungen**

**Positions de sécurité**

**Posiciones de seguridad**



**Emergency exits**

非常口

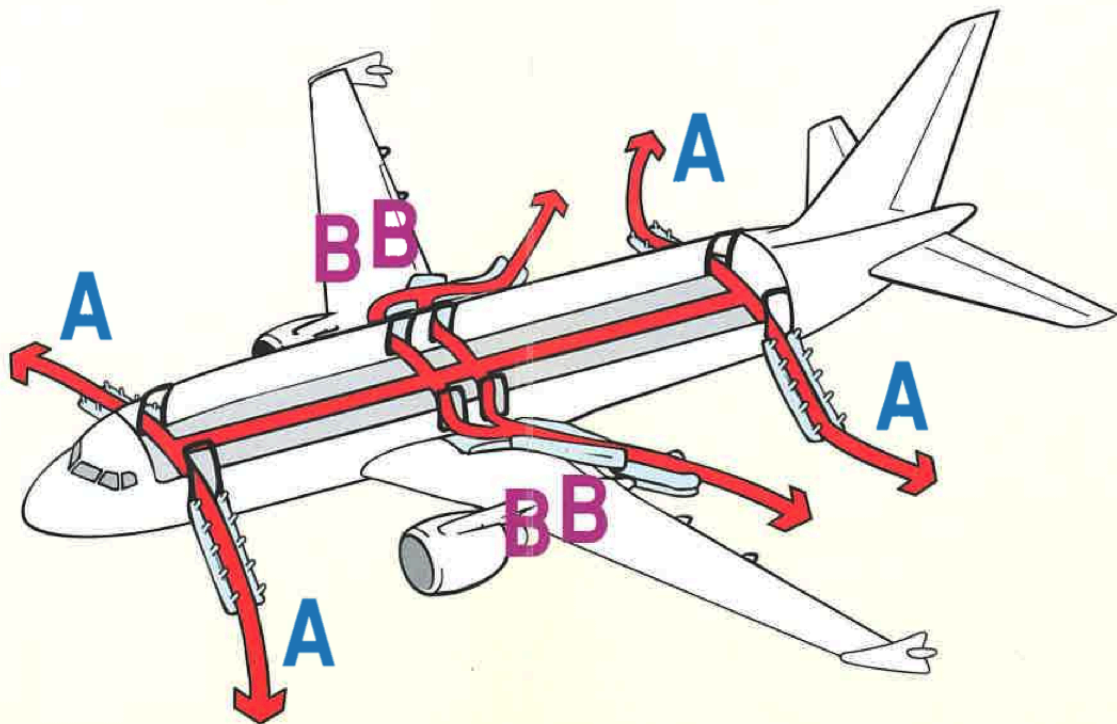
緊急出口

비상구

**Notausgänge**

**Sorties de secours**

**Salidas de emergencia**



O<sub>2</sub>  
酸  
氣  
山  
Sa  
O<sub>2</sub>  
O<sub>2</sub>



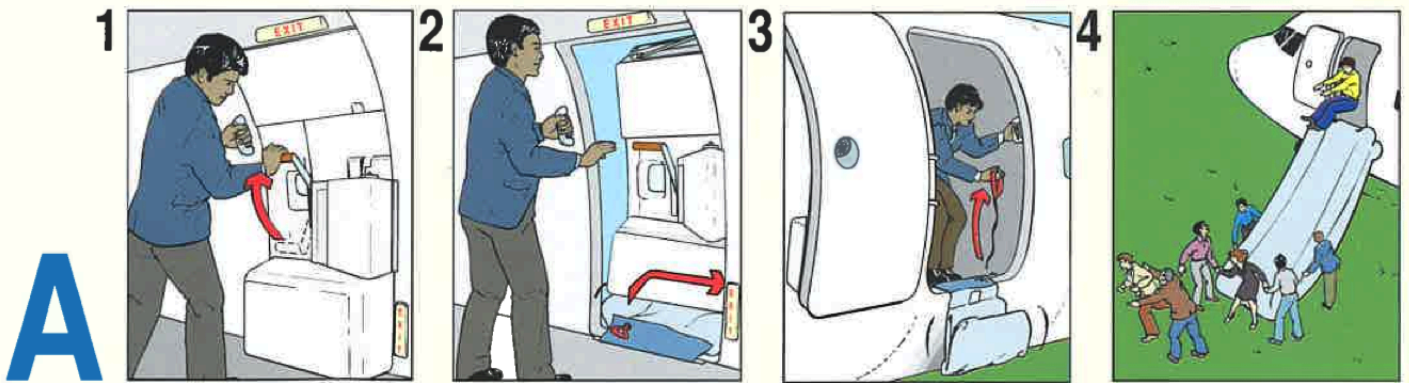
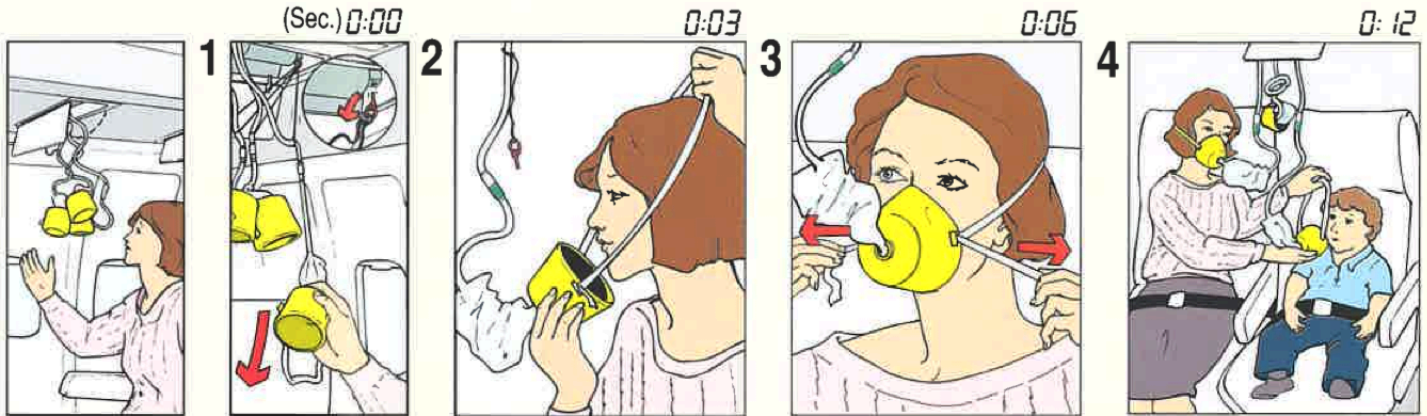
While seated  
お座席では  
在座時  
착석해 있는 동안  
Während Sie sitzen  
Lorsque vous êtes  
assis  
Mientras está  
sentado



No smoking at any time on board this airplane.  
この航空機内は常時禁煙です。  
任何時間在本機内請勿吸烟  
이 비행기에 타신 후에는 형식 금연으로 되어있습니다.  
Rauchen an Bord dieses Flugzeugs ist jederzeit  
gestattet.  
Interdiction permanente de fumer à bord de cet avion.  
No fumar en ningún momento a bordo de este avión.



Oxygen  
酸素マスク  
氧氣  
산소 마스크  
Sauerstoff  
Oxygène  
Oxígeno





Flotation cushion  
 浮き袋  
 漂浮墊  
 뜨는 방석  
 Schwimmfähiges  
 Sitzkissen  
 Coussins flotteurs  
 Asiento flotante



Life Vests  
 救命胴衣  
 救生衣  
 구명조끼  
 Schwimmwesten  
 Gilets de sauvetage  
 Chalecos salvavidas

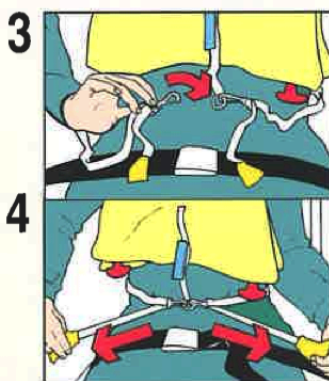
Available on select aircraft.

特定の航空機でご利用できます。  
 只有部份特定航機可提供。  
 특정비행기에 비치됨.

Steht in bestimmten Flugzeugen zur Verfügung.

Disponible sur des avions choisis.

Disponible únicamente en aviones elegidos.



5 **Exit**  
 非常口  
 通道  
 출구  
**Ausgang**  
**Sortie**  
**Salida**



Life Rafts  
 救命ボート  
 救生筏  
 구명보트  
 Schlauchboote  
 Canot pneumatique  
 Balsas salvavidas

